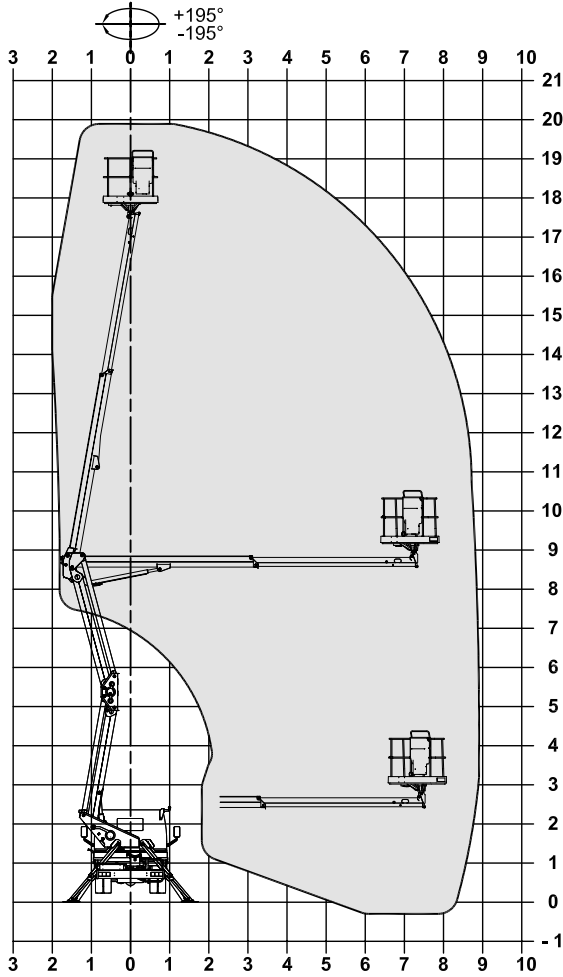


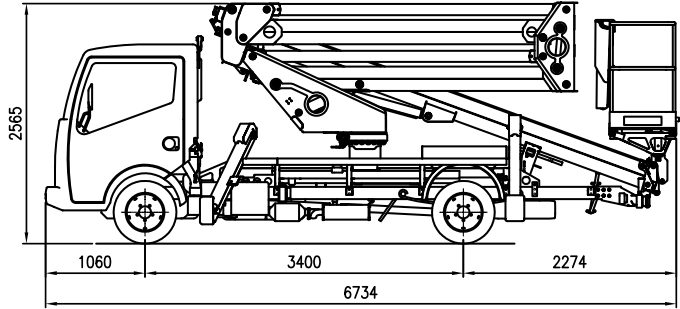
SPECIFICATION

ZED 20.2 EASY

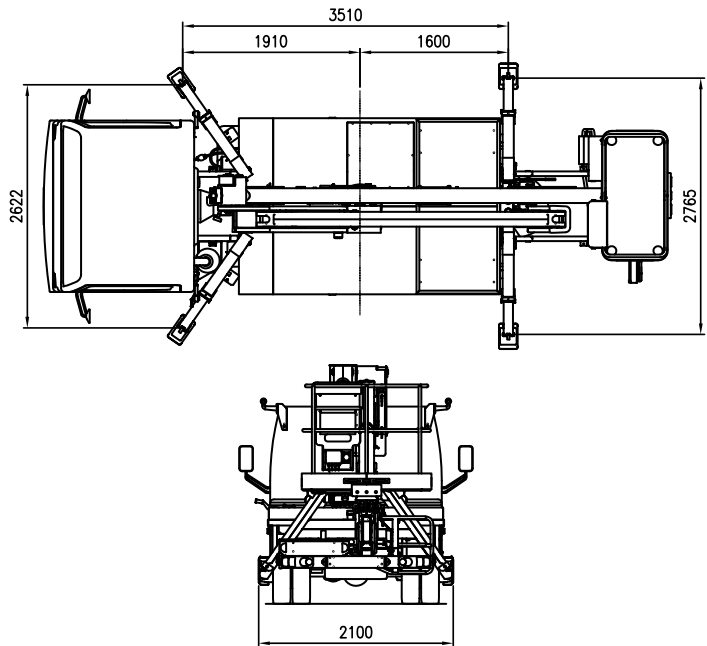
WORKING ENVELOPE









DIMENSIONS



OUTRIGGER FOOTPRINT



-  20 m*
-  9 m*
-  200 kg
-  18 m
-  1400x700x1100 mm
-  **GVW min** 3,5 t

* outreach and height max values and repeatability can change within $\pm 3\%$ due to manufacturing variation and working condition.

Product specifications are subject to change without notice or obligation. Technical features and drawings in this brochure are for illustrative purposes only. _ZED 20.2 Easy - ed. 04/16



CTE S.p.A.
Headquarter and Factory
 7 Via Caproni - Rovereto (TN) IT, 38068
Ph. +39 0464 48.50.50 - Fax +39 0464 48.50.99
info@ctelift.com - www.ctelift.com
Factory 5 Loc. Terramatta - Rivoli Veronese (VR) IT, 37010
CTE UK Ltd Enderby Leicestershire - UK

