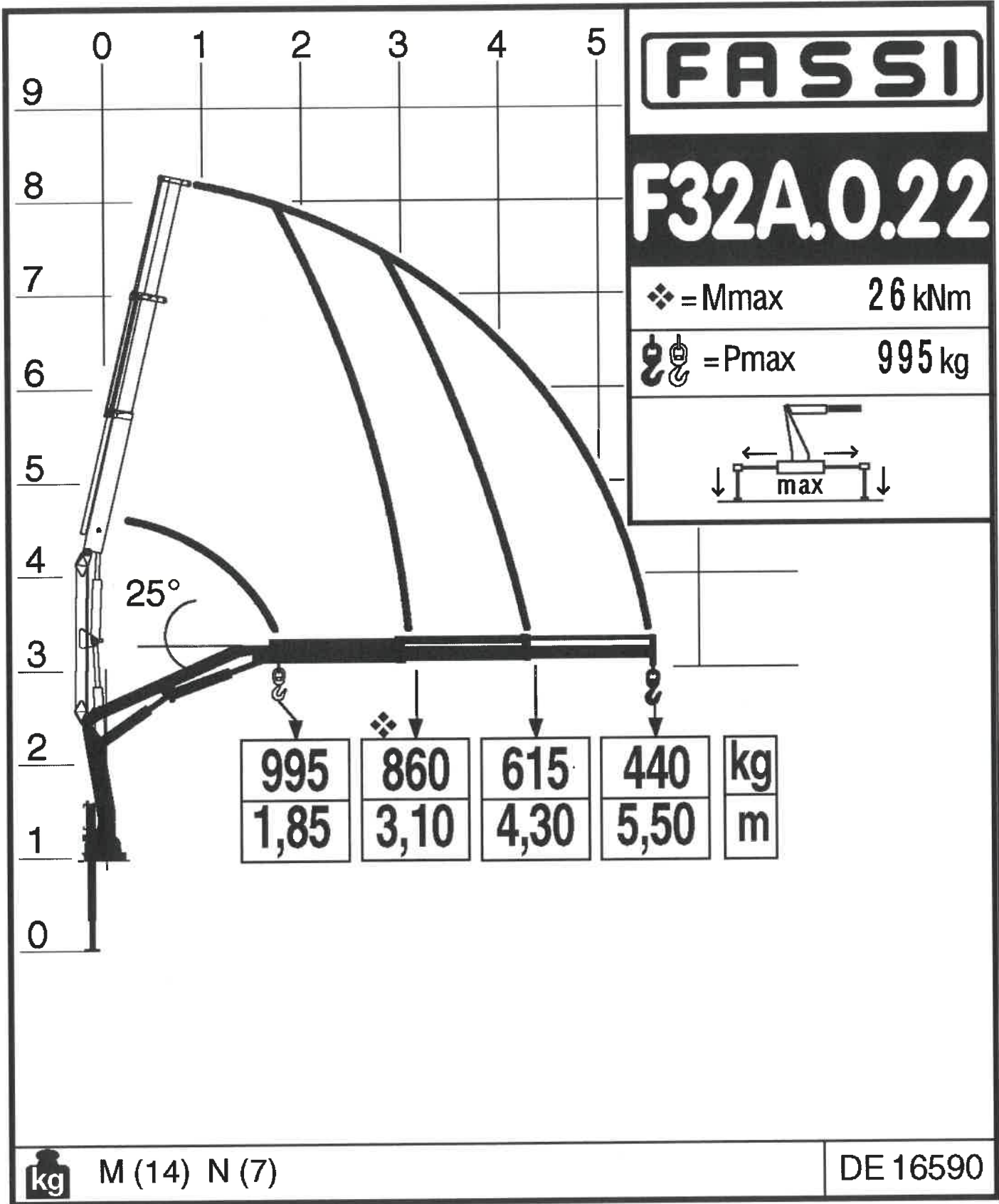


Via Roma, 110
 14021 Albino (BG)
 Tel.: +39 035 776400
 Fax: +39 035 755020
 www.fassi.com
 fassi@fassi.com

LOAD DIAGRAM WITHOUT LIFTING MOMENT LIMITING DEVICE



kg M (14) N (7)

DE 16590